





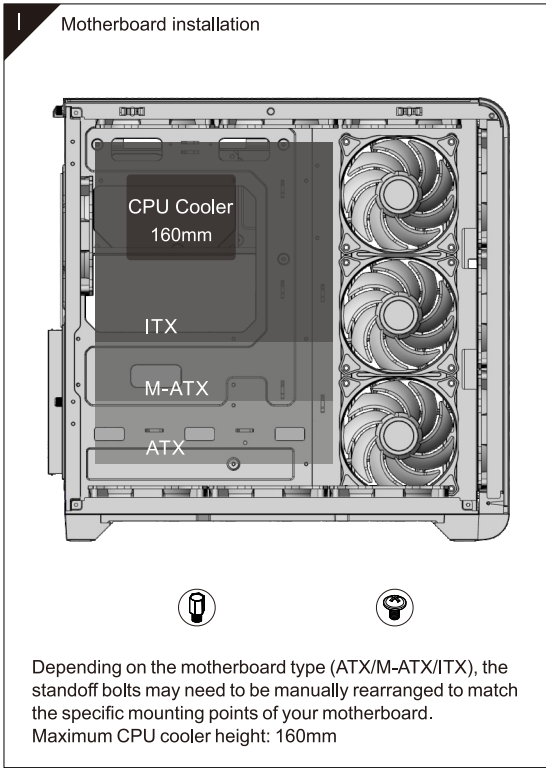
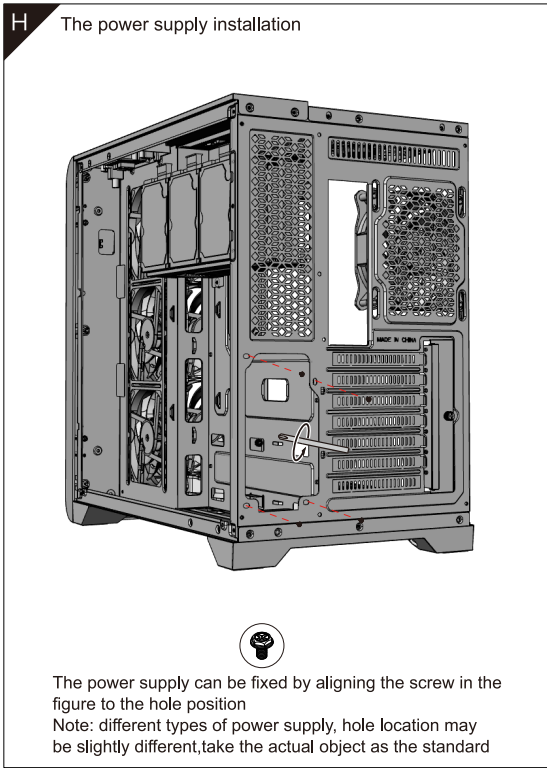
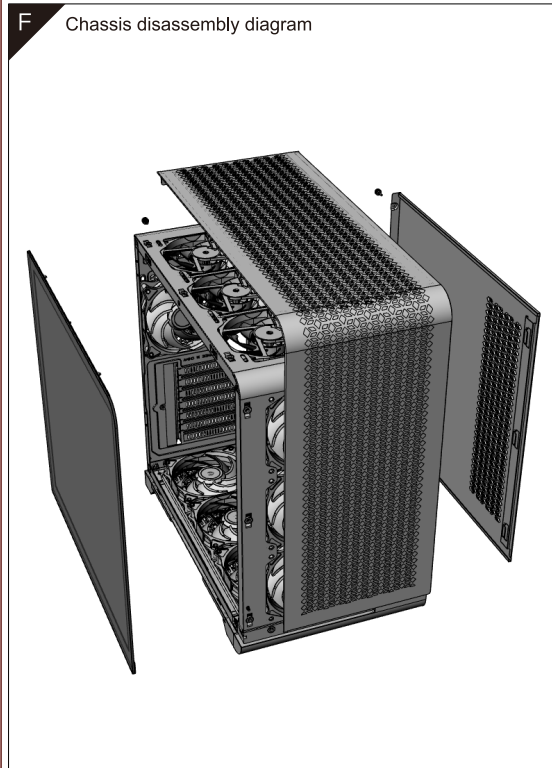
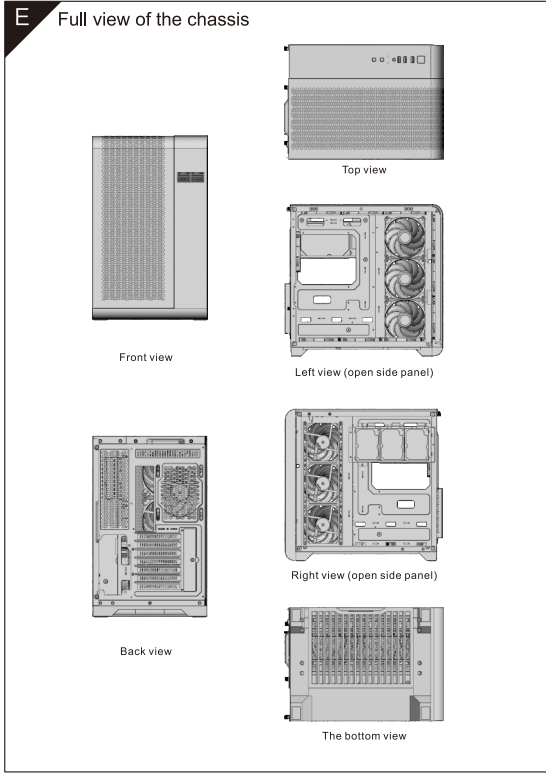
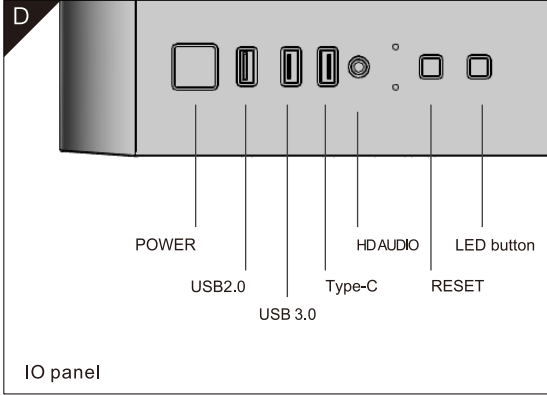
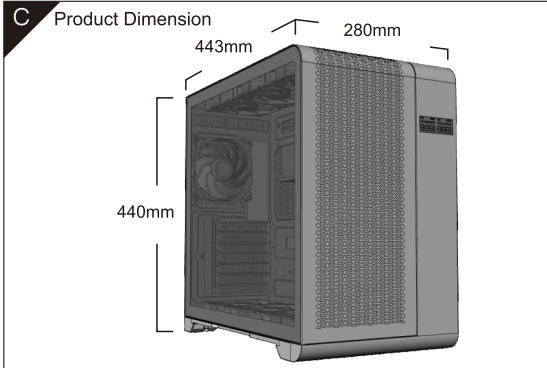
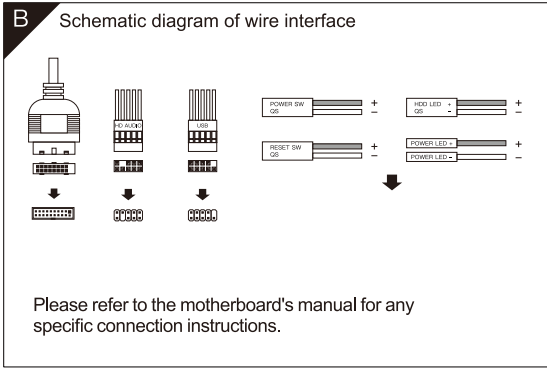


XZ GigaBit

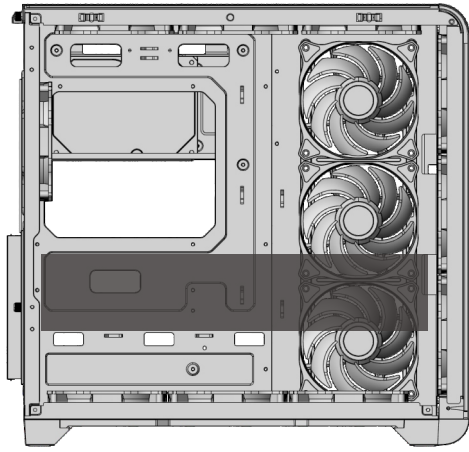
【Руководство по эксплуатации】

A Package details

 x 12	 x 8	 x 12
Motherboard screw	The power screw	HDD screw
 x 3	 x 5	 x 4
Copper pillar	Cable Tie	Countersunk screw



J Graphics card supported length



Max Length: 410mm

K Front panel



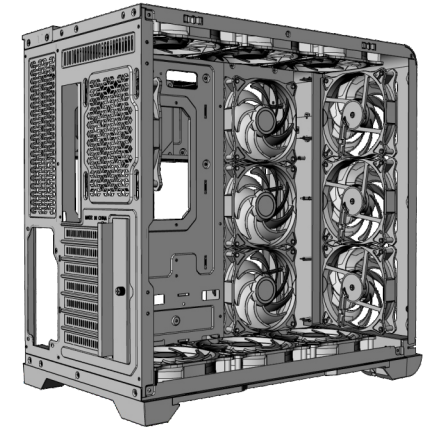
Remove the three screws (one inside and two behind) to open the front panel and the magnetic dust screen.

L Fan installation



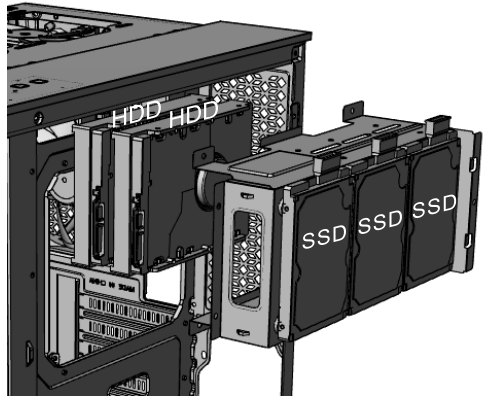
Fan Support: Front: 3x 120mm
MB tray: 3x 120mm
Top: 3x 120mm
Rear: 1x 120mm
Bottom: 3x 120mm

M Water cooling installation



Radiator Support: MB tray: 360mm
Top: 360mm
Rear: 120mm

N SSD/HDD installation

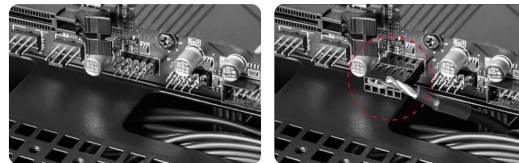


SSD*3
HDD*2

Push the SSD/HDD into the slot, align the screw holes, and lock the screws.

O Connect the LCD display

Dual real-time digital display
Display CPU (temperature or usage rate) and GPU (temperature or usage rate) simultaneously [with automatic switching]
Enable players to keep track of the temperature and usage rate of the CPU and GPU in real time
Connect the motherboard via USB2.0 and install the software without the need for professional software Settings such as AIDA64



Connect the motherboard via USB2.0



4fangaming.ru