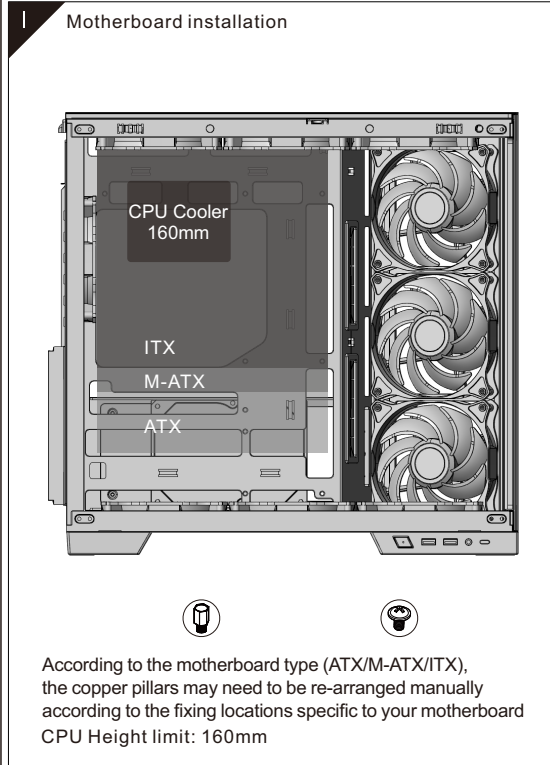
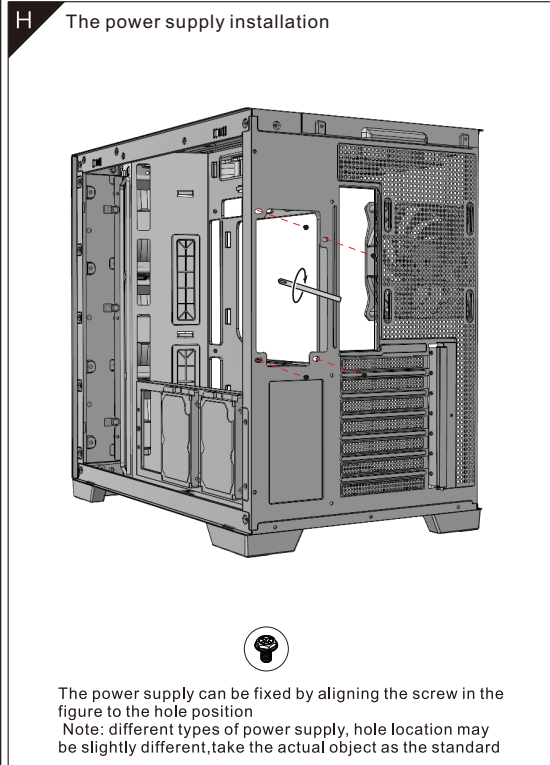
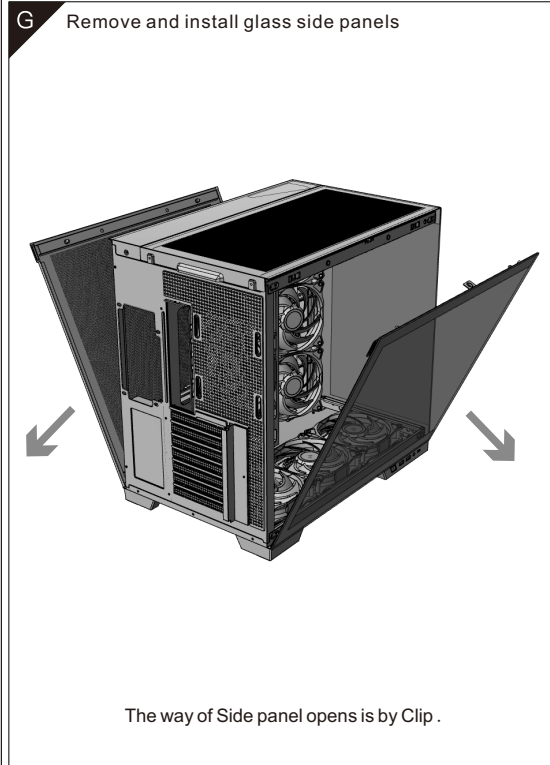
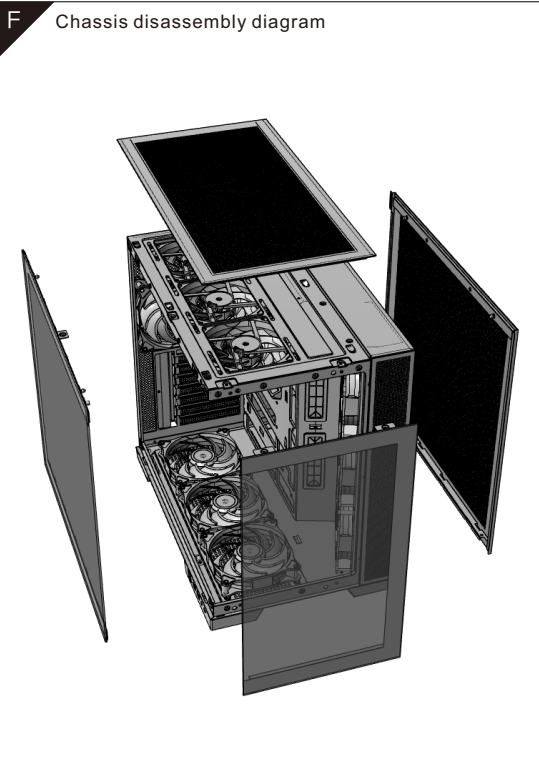
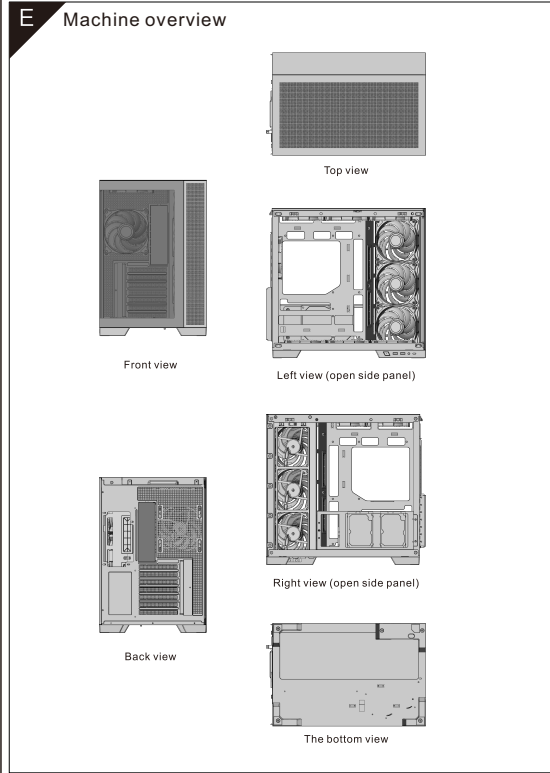
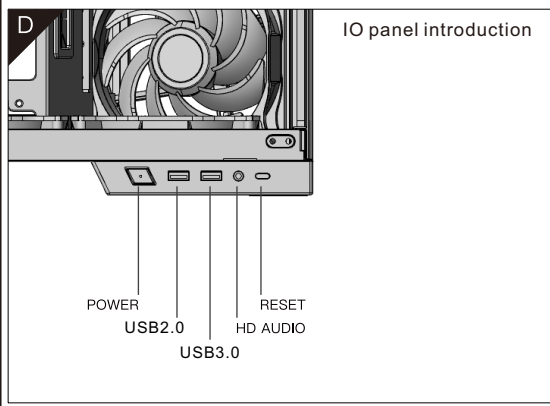
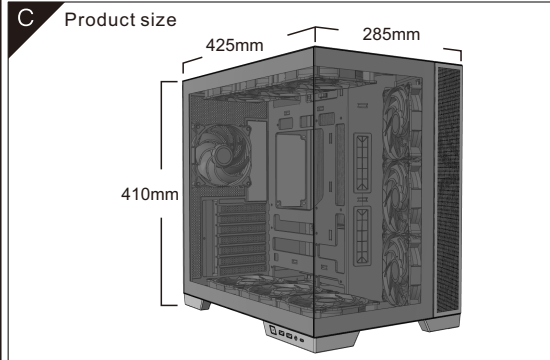
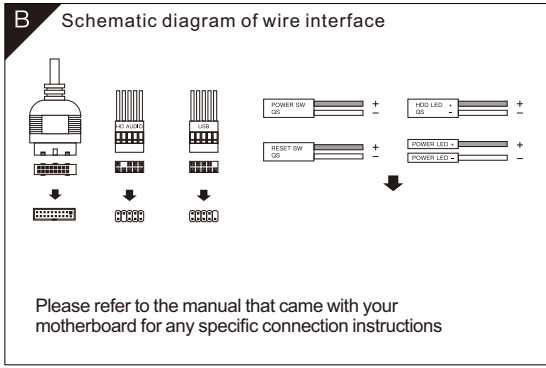


# Zerphi

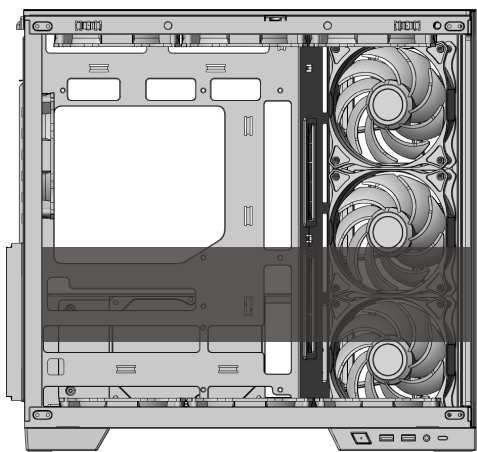
【Руководство по эксплуатации】

**A Package details**

x19	x7	x5
x 3	x2	x6
x 1		

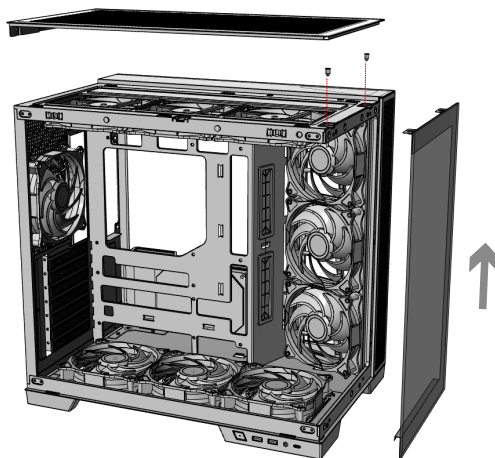


J The graphics card installation



Max Length: 415mm

K Panel disassembly



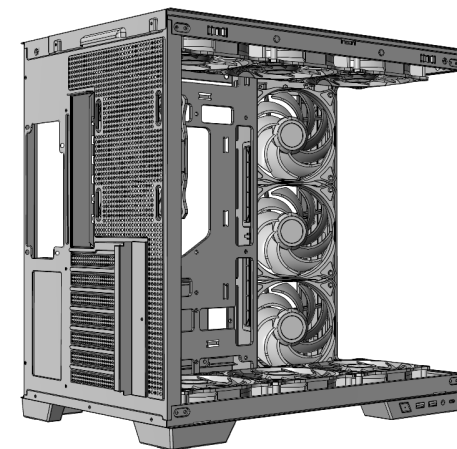
Remove the top panel, unscrew the inner screws, and lift the front panel up.

L Fan installation



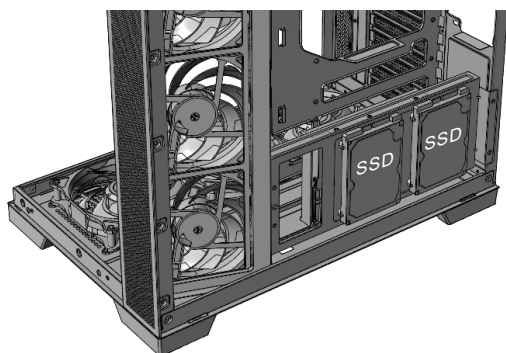
**Fan Support:** MB tray: 3x 120mm  
Rear: 1x 120mm  
Top: 3x 120mm  
Bottom: 3x 120mm

M Water cooling installation



**Radiator Support:** MB tray: 240mm  
Top: 120/240/360mm  
Bottom: 120/240mm

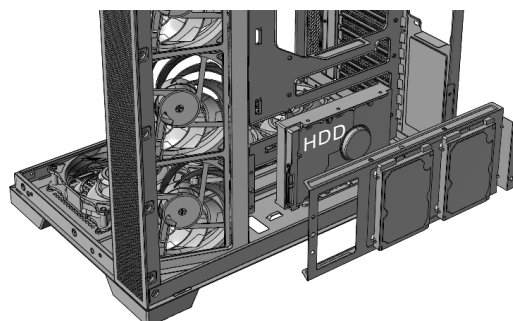
N SSD installation



2\*SSD

Align the screw holes of the hard disk with the hard disk bracket and fix it with special screws.

O HDD installation



1\*HDD

Align the screw holes of the hard disk with the hard disk bracket and fix it with special screws.

