







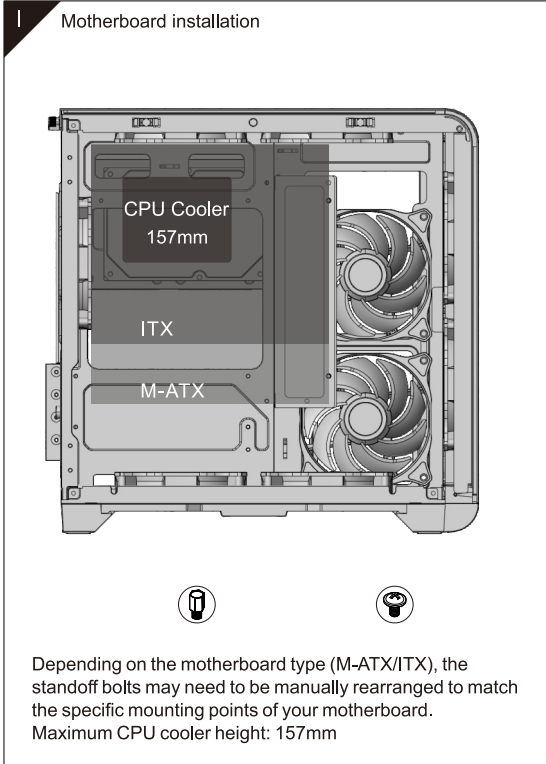
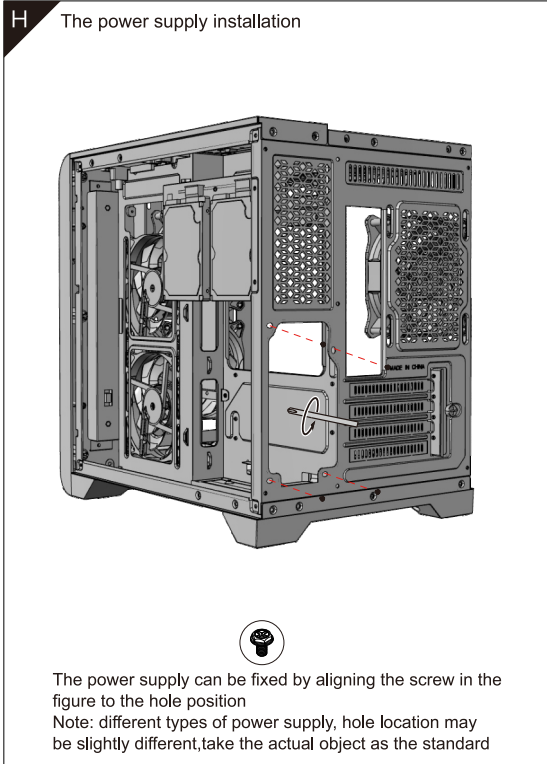
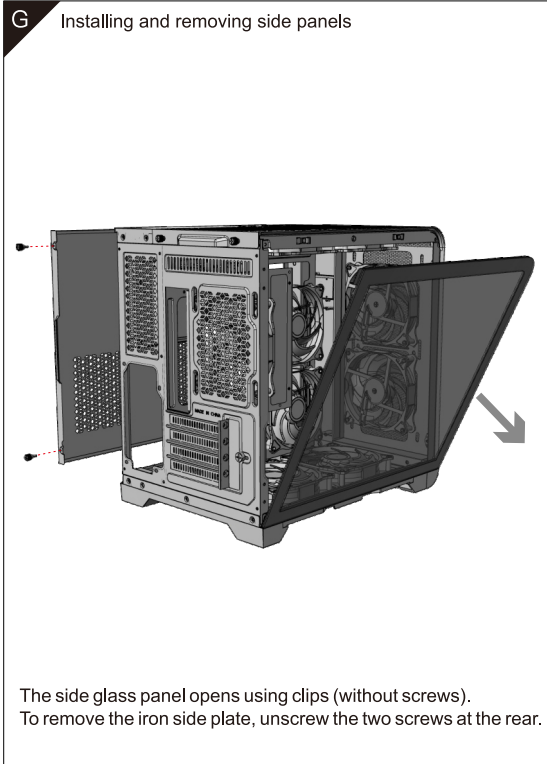
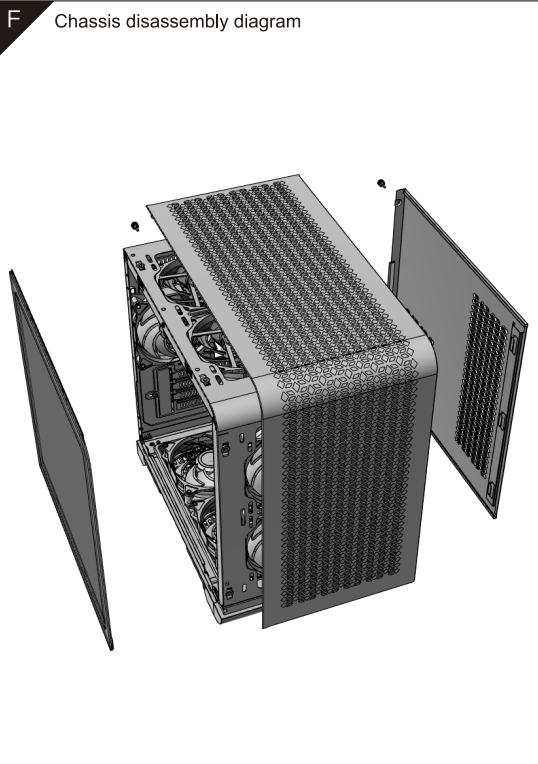
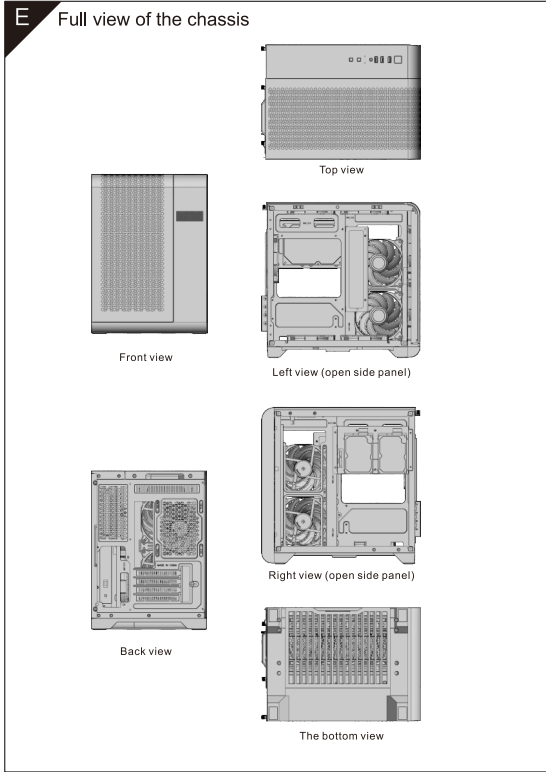
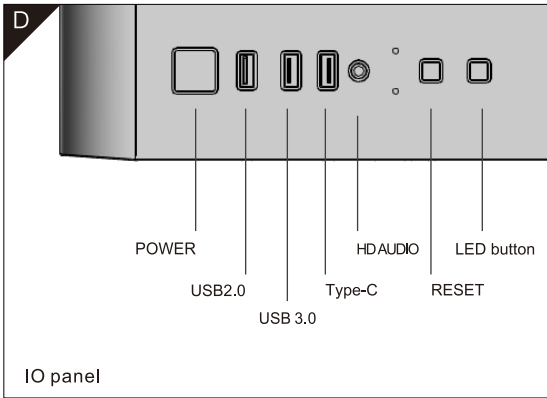
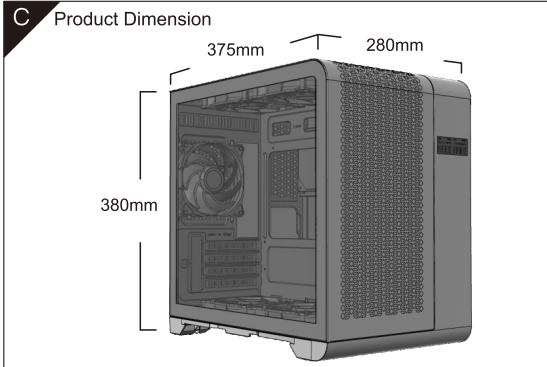
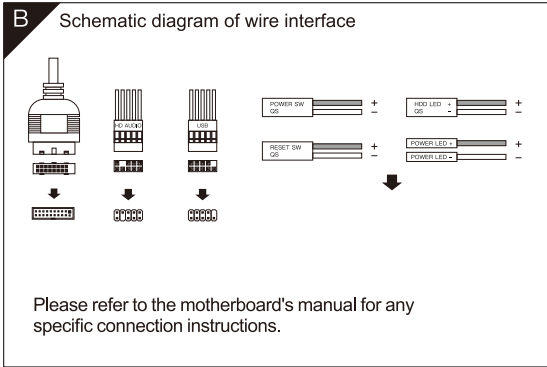


XZ Bit

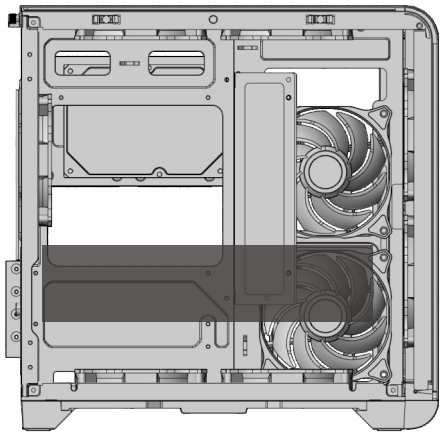
【Руководство по эксплуатации】

A Package details

 x12	 x8	 x12
 x3	 x5	 x4
Motherboard screw	The power screw	HDD screw
Copper pillar	Cable Tie	Countersunk screw

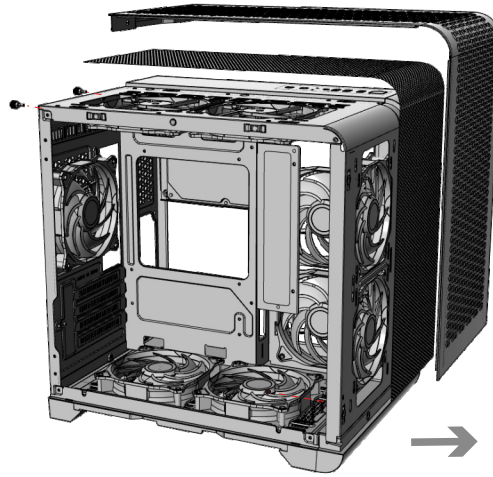


J Graphics card supported length



Max Length: 350mm

K Front panel



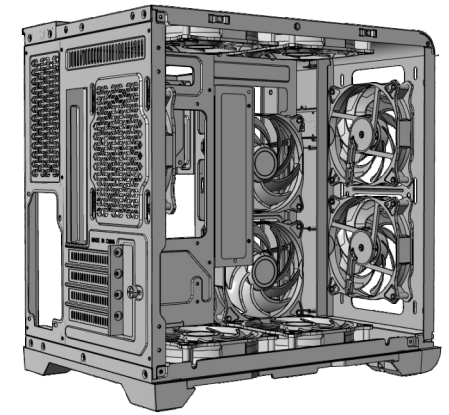
Remove the three screws (one inside and two behind) to open the front panel and the magnetic dust screen.

L Fan installation



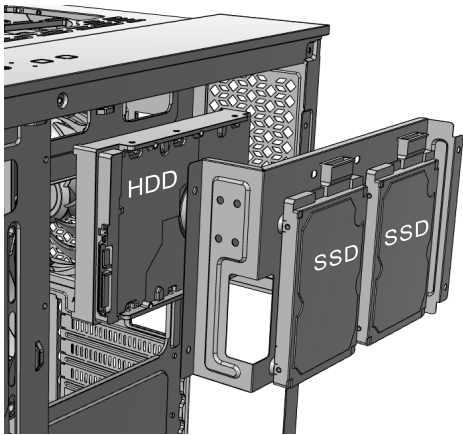
Fan Support: Front: 2x 120/140mm
MB tray: 2x 120mm
Top: 2x 120/140mm
Rear: 1x 120mm
Bottom: 2x 120mm

M Water cooling installation



Radiator Support: MB tray: 240mm
Top: 240mm
Rear: 120mm

N SSD/HDD installation

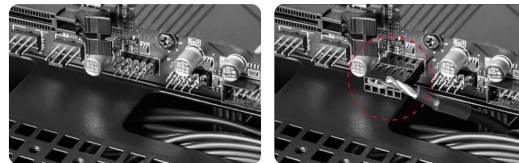
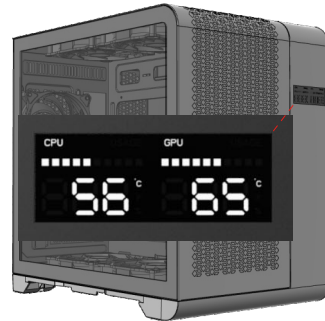


SSD*2
HDD*1

Push the SSD/HDD into the slot, align the screw holes, and lock the screws.

O Connect the LCD display

Dual real-time digital display
Display CPU (temperature or usage rate) and GPU (temperature or usage rate) simultaneously [with automatic switching]
Enable players to keep track of the temperature and usage rate of the CPU and GPU in real time
Connect the motherboard via USB2.0 and install the software without the need for professional software Settings such as AIDA64



Connect the motherboard via USB2.0

